

# Current Generation Lift Buffers of AUTAN® HE

## EN 81-20/50

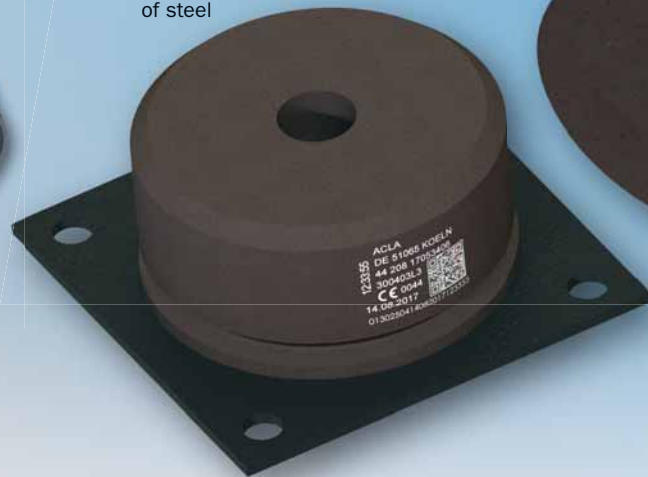
Test Type Certificate available



**type A**  
with round  
fixing plate  
of steel



**type C**  
with square  
fixing plate  
of steel



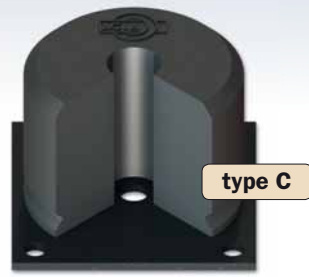
**type D**  
with integrated  
steel plate



### Nominal article sizes



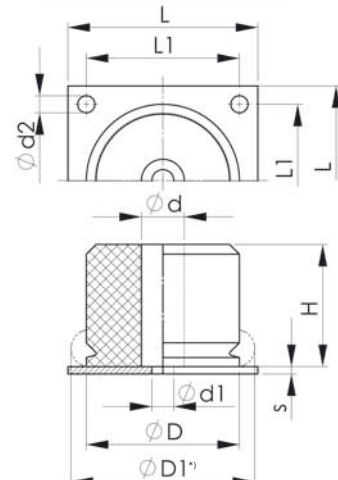
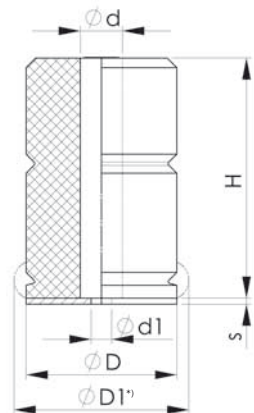
**type A**



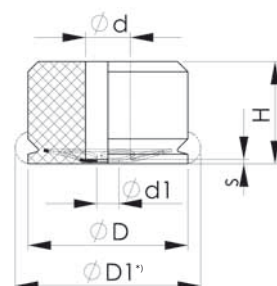
**type C**



**type D**



\*Data for ØD1 on request



## Lift Buffers of AUTAN® HE certified as per EN 81-20/50 and Lift Directive 2014/33/EU

### The ACLA safety product on the latest state-of-the art

We ensure planning certainty for all your future lift projects based on the applicable standard EN 81-20/50 and lift directive 2014/33/EU. All offered buffers are type-tested according to the current regulations.

All buffers of series S comply with the important mounting height of 80 mm.

### Maintenance 4.0 integrated

Important product data is digitally marked on each ACLA lift buffer of AUTAN HE.

The following table is an overview of our delivery program incl. the admissible application ranges.

Putting the focus on the optimisation of manufacturing technology our lift buffers of AUTAN HE series S offer extended application ranges as to min. and max. loads.



Type-examination certificates and declarations of conformity can be downloaded from our website "www.acla-werke.de".

**Series S of AUTAN® HE: widened application range at min. and max. loads!**

## Delivery program and application ranges for lift buffers type A, C and D of AUTAN® HE acc. to EN 81-20/50 at nominal speeds up to 0,63 m/s and 1,0 m/s

Product range	Type-examination certificates		Admissible range in [kg]				sizes												
	size D x H	type	art. no.	up to v = 0,63 m/s		up to v = 1,0 m/s		D	d	d1	H	s	L	L1	d2				
				m <sub>min</sub>	m <sub>max</sub>	m <sub>min</sub>	m <sub>max</sub>												
Series S	80 x 80	A	300400L1	44 208 17053401	140	1650	230	750	80	36	17,0	80	5	100	80	11			
		C	300400L3														18,0	6	2
		D	300400L4														17,2	2	
	100 x 80	A	300401L1	44 208 17053403	240	3500	350	1200	100	36	17,0	80	5	130	100	14			
		C	300401L3														18,0	6	2
		D	300401L4														17,2	2	
	100 x 80	A	300401M1	44 208 17053402	200	2100	250	950	100	36	17,0	80	5	130	100	14			
		C	300401M3														18,0	6	2
		D	300401M4														17,2	2	
	125 x 80	A	300402L1	44 208 17053404	450	5500	620	1900	125	36	17,0	80	5	155	125	14			
		C	300402L3														18,0	6	2
		D	300402L4														17,2	2	
140 x 80	A	300419L1	44 208 17053405	450	6500	700	2300	140	36	17,0	80	6	180	140	18				
	C	300419L3														18,0	6	2	
	D	300419L4														17,2	2		
165 x 80	A	300403L1	44 208 17053406	600	9400	1000	2800	165	36	17,0	80	5	205	165	18				
	C	300403L3														18,0	6	2	
	D	300403L4														17,2	2		
220 x 80	A	300404L1	44 208 17053407	1000	9400	1400	5500	220	36	17,0	80	5	260	220	21				
	C	300404L3														18,0	6	2	
	D	300404L4														17,2	2		
81 x 120	A	300335A1	44 208 12019089-001	-	-	230	900	81	36	17,0	120	5	100	80	11				
	C	300335A3														18,0	6	2	
	D	300335A4														17,2	2		
101 x 163	A	300405A1	44 208 12019092-001	-	-	300	1600	101	36	17,0	163	5	130	100	14				
	C	300405A3														18,0	6	2	
	D	300405A4														17,2	2		
129 x 103	A	300178A1	44 208 12019094-001	-	-	600	2100	129	36	17,0	103	5	155	125	14				
	C	300178A3														18,0	6	2	
	D	300178A4														17,2	2		
142 x 101	A	300183A1	44 208 12019096-001	-	-	700	2200	142	36	17,0	101	6	180	140	18				
	C	300183A3														18,0	6	2	
	D	300183A4														17,2	2		